



# Solar inverter

## UNO-DM-3.3/3.6/4.0/4.6/5.0

## TL-PLUS-Q

The UNO-DM-TL-PLUS-Q single-phase inverter family, with power ratings from 3.3 to 5.0 kW, is the optimal solution for residential installations.

**From 3.3 to 5.0 kW**

**One size fits all**

The design wraps FIMER's quality and engineering into a light-weight and compact package thanks to technological choices optimized for installations with different orientation.

All power ratings share the same overall volume, allowing higher performance in a minimum space, and feature dual Maximum Power Point Trackers.

**Easy to install, fast to commission**

The presence of Plug and Play connectors, both on the DC and AC side, as well as the wireless communication, enable a simple, fast and safe installation without the need of opening the front cover of the inverter.

The featured easy commissioning routine removes the need for a long configuration process, resulting in lower installation time and costs.

Improved user experience thanks to the build in User Interface (UI) which enables access to features such as advanced inverter configuration settings, dynamic feed-in control and load manager, from any WLAN enabled device (smartphone, tablet or PC).

**Smart capabilities**

The embedded logging capabilities and direct transferring of the data to Internet (via Ethernet or WLAN) allow customers to enjoy the whole Aurora Vision remote monitoring experience.

The advanced communication interfaces (WLAN, Ethernet, RS485) combined with an efficient Modbus (RTU/TCP) communication protocol, Sunspec compliant, allow the inverter to be easily integrated within any smart environment and with third party monitoring and control systems.

A complete set of control functions with the embedded efficient algorithm, enabling dynamic control of the feed-in (i.e. zero injection), make the inverter suitable for worldwide applications in compliance with regulatory norms and needs of the utilities.

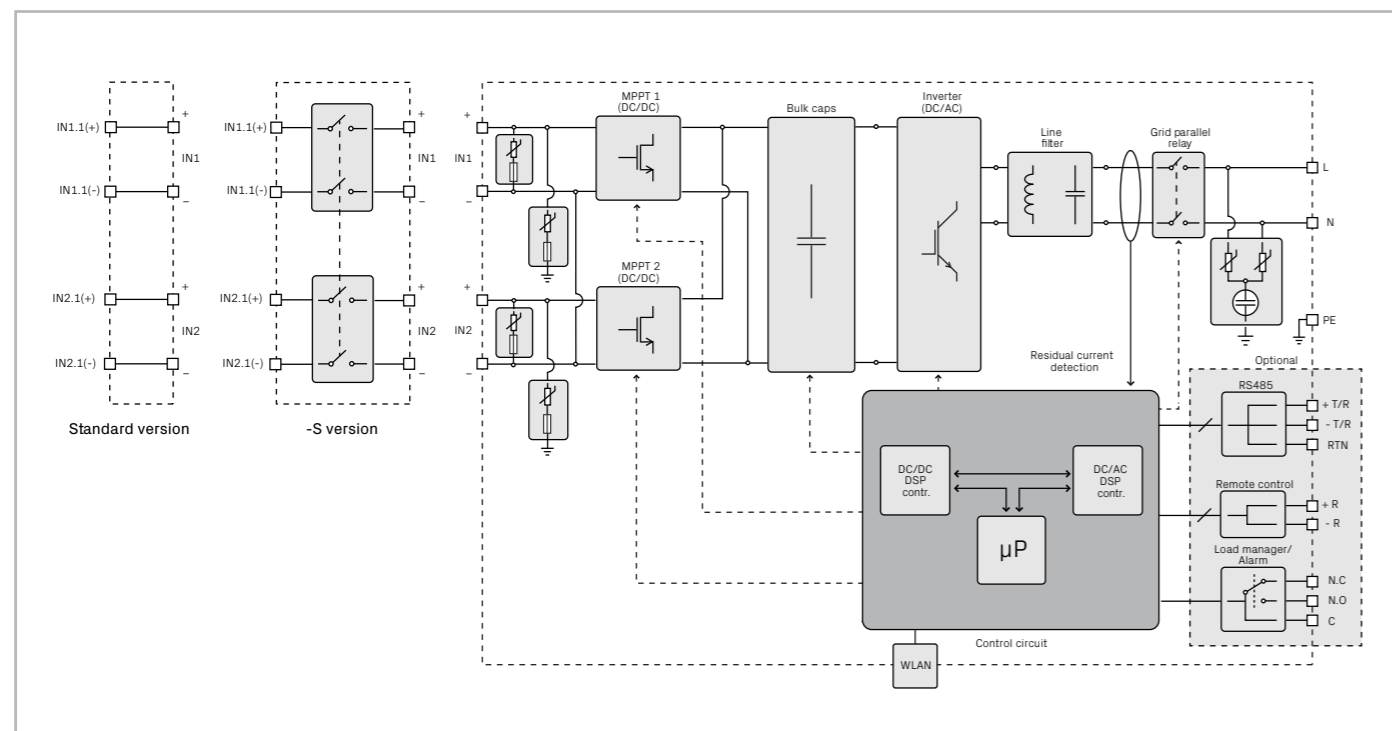
**Energy Viewer**

This new tool allows residential customers to remotely monitor the performance of their own solar plant and provides all information necessary to increase energy self-reliance and self-sufficiency.

**Highlights**

- Wireless access to the embedded Web User Interface
- Easy commissioning capability
- Future-proof with embedded connectivity for smart building and smart grid integration
- Dynamic feed-in control (for instance "zero injection")
- Remote firmware upgrade for inverter and components
- Modbus TCP/RTU Sunspec compliant
- Lifetime free of charge access to Aurora Vision

**UNO-DM-3.3/3.6/4.0/4.6/5.0-TL-PLUS-Q string inverter block diagram**



| Technical data and types   |  |   |   |   |   |
|--|--|---|---|---|---|
| Type code  | UNO-DM-3.3-TL-PLUS-Q   | UNO-DM-3.6-TL-PLUS-Q  | UNO-DM-4.0-TL-PLUS-Q  | UNO-DM-4.6-TL-PLUS-Q  | UNO-DM-5.0-TL-PLUS-Q  |
| <b>Input side</b>  |  |   |   |   |   |
| Absolute maximum DC input voltage ( $V_{max,abs}$ )  | 600 V  |   |   |   |   |
| Start-up DC input voltage ( $V_{start}$ )  | 200 V (adj. 120...350 V)   |   |   |   |   |
| Operating DC input voltage range ( $V_{dcmin}...V_{dcmax}$ )   | 0.7 x $V_{start}$ ...580 V (min 90 V)  |   |   |   |   |
| Rated DC input voltage ( $V_{dc}$ )  | 360 V  |   |   |   |   |
| Rated DC input power ( $P_{dc}$ )  | 3500 W   | 3910 W  | 4250 W  | 4750 W  | 5150 W  |
| Number of independent MPPT   | 2  |   |   |   |   |
| Maximum DC input power for each MPPT ( $P_{MPPTmax}$ )   | 2000 W   | 3000 W  | 3000 W  | 3000 W  | 3500 W  |
| DC input voltage range with parallel configuration of MPPT at $P_{dc}$                                       | 170...530 V  | 130...530 V   | 130...530 V   | 150...530 V   | 170...480 V   |
| DC power limitation with parallel configuration of MPPT $P_{dc}$   | Linear derating from Max to Null [530V ≤ $V_{MPPT}$ ≤ 580V]  | Linear derating from Max to Null [530V ≤ $V_{MPPT}$ ≤ 580V]   | Linear derating from Max to Null [530V ≤ $V_{MPPT}$ ≤ 580V]   | Linear derating from Max to Null [530V ≤ $V_{MPPT}$ ≤ 580V]   | Linear derating from Max to Null [480V ≤ $V_{MPPT}$ ≤ 580V]   |
| DC power limitation for each MPPT with independent configuration of MPPT at $P_{dc}$ , max unbalance example | 2000 W [200 V ≤ $V_{MPPT}$ ≤ 530 V] the other channel: $P_{dc}$ -2000 W [112 V ≤ $V_{MPPT}$ ≤ 530 V] | 3000 W [190 V ≤ $V_{MPPT}$ ≤ 530 V] the other channel: $P_{dc}$ -3000 W [90 V ≤ $V_{MPPT}$ ≤ 530 V] | 3000 W [190 V ≤ $V_{MPPT}$ ≤ 530 V] the other channel: $P_{dc}$ -3000 W [90 V ≤ $V_{MPPT}$ ≤ 530 V] | 3000 W [190 V ≤ $V_{MPPT}$ ≤ 530 V] the other channel: $P_{dc}$ -3000 W [90 V ≤ $V_{MPPT}$ ≤ 530 V] | On MPPT 1: 3500 W [185 V ≤ $V_{MPPT}$ ≤ 480 V] On MPPT 2: $P_{dc}$ -3500 W [145 V ≤ $V_{MPPT}$ ≤ 480 V] or 3500 W (305 V ≤ $V_{MPPT}$ ≤ 480 V) with no power on MPPT1 |
| Maximum DC input current ( $I_{dc,max}$ ) / for each MPPT ( $I_{MPPTmax}$ )                                  | 20.0/10.0 A  | 32.0/16.0 A   | 32.0/16.0 A   | 32.0/16.0 A   | 30.5/19-11.5 A (MPPT 1 - MPPT 2)  |
| Maximum input short circuit current for each MPPT  | 20.0 A   | 20.0 A  | 20.0 A  | 20.0 A  | 22.0 A  |
| Number of DC input pairs for each MPPT   | 1  |   |   |   |   |
| DC connection type <sup>1)</sup>   | Quick Fit PV Connector   |   |   |   |   |
| <b>Input protection</b>  |  |   |   |   |   |
| Reverse polarity protection  | Yes, from limited current source   |   |   |   |   |
| Input over voltage protection for each MPPT-varistor   | Yes  |   |   |   |   |
| Photovoltaic array isolation control   | According to local standard  |   |   |   |   |
| DC switch rating for each MPPT (version with DC switch)  | 25 A / 600 V   |   |   |   |   |
| <b>Output side</b>   |  |   |   |   |   |
| AC grid connection type  | Single-phase   |   |   |   |   |
| Rated AC power ( $P_{ac}$ @ $\cos\phi=1$ )   | 3300 W   | 3680 W  | 4000 W  | 4600 W  | 5000 W  |
| Maximum AC output power ( $P_{ac,max}$ @ $\cos\phi=1$ )  | 3300 W   | 3680 W  | 4000 W <sup>2)</sup>  | 4600 W  | 5000 W  |
| Maximum apparent power ( $S_{max}$ )   | 3300 VA  | 3680 VA   | 4000 VA <sup>3)</sup>   | 4600 VA   | 5000 VA   |
| Rated AC grid voltage ( $V_{ac,r}$ )   | 230 V  |   |   |   |   |
| AC voltage range <sup>3)</sup>   | 180...264 V  |   |   |   |   |
| Maximum AC output current ( $I_{ac,max}$ )   | 14.5 A   | 16 A  | 17.2 A  | 20.0 A  | 22.0 A  |
| Contributory fault current   | 16.0 A   | 19.0 A  | 19.0 A  | 22.0 A  | 24.0 A  |
| Rated output frequency ( $f$ ) <sup>4)</sup>   | 50/60 Hz   |   |   |   |   |
| Output frequency range ( $f_{min}...f_{max}$ ) <sup>4)</sup>   | 47...53/57...63 Hz   |   |   |   |   |
| Nominal power factor and adjustable range  | > 0.995, adj. ± 0.1 - 1 (over/under excited)   |   |   |   |   |
| Total current harmonic distortion  | < 3%   |   |   |   |   |
| AC connection type   | Female connector from panel  |   |   |   |   |
| <b>Output protection</b>   |  |   |   |   |   |
| Anti-islanding protection  | According to local standard  |   |   |   |   |
| Maximum external AC overcurrent protection   | 20.0 A   | 25.0 A  | 25.0 A  | 25.0 A  | 32.0 A  |
| Output overvoltage protection - varistor   | 2 (L - N / L - PE)   |   |   |   |   |

## Technical data and types

| Type code   | UNO-DM-3.3-TL-PLUS-Q  | UNO-DM-3.6-TL-PLUS-Q   | UNO-DM-4.0-TL-PLUS-Q                                     | UNO-DM-4.6-TL-PLUS-Q  | UNO-DM-5.0-TL-PLUS-Q                                     |
|---|---|--|--|---|--|
| <b>Operating performance</b>  |   |  |  |   |  |
| Maximum efficiency ( $\eta_{max}$ )                                     | 97.0%   | 97.0%  | 97.0%  | 97.0%   | 97.4%  |
| Weighted efficiency (EURO/CEC)  | 96.5% / -   | 96.5% / -  | 96.5% / -  | 96.5% / -   | 97.0% / -  |
| Feed in power threshold   | 8 W   |  |  |   |  |
| Night consumption   | <0.4 W  |  |  |   |  |
| <b>Embedded communication</b>   |   |  |  |   |  |
| Communication interface <sup>5)</sup>                                   | Wireless  |  |  |   |  |
| Embedded communication protocol   | ModBus TCP (SunSpec)  |  |  |   |  |
| Commissioning tool  | Web User Interface, Aurora Manager Lite   |  |  |   |  |
| Monitoring  | Plant Portfolio Manager, Plant Viewer, Plant Viewer for Mobile, Energy Viewer   |  |  |   |  |
| <b>Optional board UNO-DM-COM kit</b>                                    |   |  |  |   |  |
| Optional communication interface  | RS485 (use with meter for dynamic feed-in control), Alarm/Load manager relay, Remote ON/OFF   |  |  |   |  |
| Optional communication protocol   | ModBus RTU (SunSpec), Aurora Protocol   |  |  |   |  |
| <b>Optional board UNO-DM-PLUS Ethernet COM kit</b>                      |   |  |  |   |  |
| Optional communication interface  | Ethernet, RS485 (use with meter for dynamic feed-in control), Alarm/Load manager relay, Remote ON/OFF                                     |  |  |   |  |
| Optional communication protocol   | ModBus TCP (SunSpec), ModBus RTU (SunSpec), Aurora Protocol   |  |  |   |  |
| <b>Environmental</b>  |   |  |  |   |  |
| Ambient temperature range   | 25...+60°C / -13...140°F with derating above 50°C/122°F   | -25...+60°C / -13...140°F with derating above 50°C/122°F   | -25...+60°C / -13...140°F with derating above 50°C/122°F | -25...+60°C / -13...140°F with derating above 40°C/104°F  | -25...+60°C / -13...140°F with derating above 45°C/113°F |
| Relative humidity   | 0...100 % condensing  |  |  |   |  |
| Maximum operating altitude  | 2000 m / 6560 ft (without derating)   |  |  |   |  |
| <b>Physical</b>   |   |  |  |   |  |
| Environmental protection rating   | IP 65   |  |  |   |  |
| Cooling   | Natural   |  |  |   |  |
| Dimension (H x W x D)   | 553 x 418 x 175 mm / 21.8" x 16.5" x 6.9"   |  |  |   |  |
| Weight  | 15 kg / 33 lbs  |  |  |   |  |
| Mounting system   | Wall bracket  |  |  |   |  |
| <b>Safety</b>   |   |  |  |   |  |
| Isolation level   | Transformerless   |  |  |   |  |
| Marking   | CE , RCM  | CE   |  | CE , RCM  |  |
| Safety and EMC standard   | IEC/EN 62109-1, IEC/EN 62109-2, AS/NZS 4777.2, EN 61000-6-1, EN 61000-6-2, EN 61000-6-3, EN 61000-6-4, EN 61000-3-11, EN 61000-3-12       | IEC/EN 62109-1, IEC/EN 62109-2, EN 61000-6-1, EN 61000-6-2, EN 61000-6-3, EN 61000-6-4, EN 61000-3-11, EN 61000-3-12 |  | IEC/EN 62109-1, IEC/EN 62109-2, AS/NZS 4777.2, EN 61000-6-1, EN 61000-6-2, EN 61000-6-3, EN 61000-6-4, EN 61000-3-11, EN 61000-3-12       |  |
| Grid standard (check your sales channel for availability) <sup>6)</sup> | CEI 0-21, DIN V VDE V 0126-1-1, VDE-AR-N 4105, G83/2, G59/3, G98-1, G99-1, RD 413, ITC-BT-40, AS/NZS 4777.2, C10/11, IEC 61727, IEC 62116 | G98-1, G99-1   |  | CEI 0-21, DIN V VDE V 0126-1-1, VDE-AR-N 4105, G83/2, G59/3, G98-1, G99-1, RD 413, ITC-BT-40, AS/NZS 4777.2, C10/11, IEC 61727, IEC 62116 |  |
| <b>Available products variants</b>                                      |   |  |  |   |  |
| Standard  | UNO-DM-3.3-TL-PLUS-B-Q  | UNO-DM-3.6-TL-PLUS-B-Q   | UNO-DM-4.0-TL-PLUS-B-Q                                   | UNO-DM-4.6-TL-PLUS-B-Q  | UNO-DM-5.0-TL-PLUS-B-Q                                   |
| With DC switch  | UNO-DM-3.3-TL-PLUS-SB-Q   | UNO-DM-3.6-TL-PLUS-SB-Q  | UNO-DM-4.0-TL-PLUS-SB-Q                                  | UNO-DM-4.6-TL-PLUS-SB-Q   | UNO-DM-5.0-TL-PLUS-SB-Q                                  |

- 1) Refer to the document "String inverter – Product Manual appendix" available at [www.fimer.com](http://www.fimer.com) to know the brand and the model of the quick fit connector"  
 2) For UK G83/2 and G98-1 settings, maximum output current limited to 16 A  
 3) The AC voltage range may vary depending on specific country grid standard

- 4) The Frequency range may vary depending on specific country grid standard; CE is valid for 50Hz only  
 5) As per IEEE 802.11 b/g/n standard  
 6) Further grid standard will be added, please refer to FIMER's Solar page for further details



For more information please contact your local FIMER representative or visit:

[fimer.com](http://fimer.com)

We reserve the right to make technical changes or modify the contents of this document without prior notice. With regard to purchase orders, the agreed particulars shall prevail. FIMER does not accept any responsibility whatsoever for potential errors or possible lack of information in this document.

We reserve all rights in this document and in the subject matter and illustrations contained therein. Any reproduction, disclosure to third parties or utilization of its contents – in whole or in parts – is forbidden without prior written consent of FIMER. Copyright© 2022 FIMER. All rights reserved.

**Remark. Features not specifically listed in the present data sheet are not included in the product**

